

# TECHNICAL DATASHEET



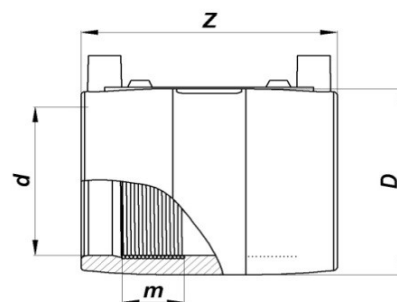
## EF COUPLER

04 Update - 04/2024

### TECHNICAL DATA

Article No	001 117 2160 0280
d (mm)	280
D (mm)	338
Z (mm)	244
m (mm)	52,5
Weight (Kg)	6,730
Box Quantity (pcs)	1
Box Dimension (cm)	35,5x35,5x27,5

### INJECTION MOULDED



### IDENTIFICATION OF PRODUCT

D(mm)	280
SDR	11
RAW MATERIAL	PE 100
PRESSURE CLASS	16 Bar Water 10 Bar Gas
TRADEMARK	NTG
EXECUTION	Injection Moulded
STANDARD	EN 12201-3 EN 1555-3 AS / NZS 4129
SPECIFICATION	Suitable for SDR9...17 pipe Removable center stopper ( up to 400 mm ) 4 mm pin connectors

### EF SPECIFICATION

WELDING VOLTAGE	40 V
RESISTANCE	0.65 $\Omega$
WELDING TIME	800 Sec.
COOLING TIME	30 Min.
WINDING TYPE	Monofilar
WELDING BARCODE	



951420342803400656800118

Tolerance on diameters and thickness according to the standards. The other dimensions are specialized. Tolerance  $\pm$  5%. NTG PLASTIK reserves all the right to change any information without giving prior notice. The production, distribution and utilization of this document without explicit authorization is prohibited.